
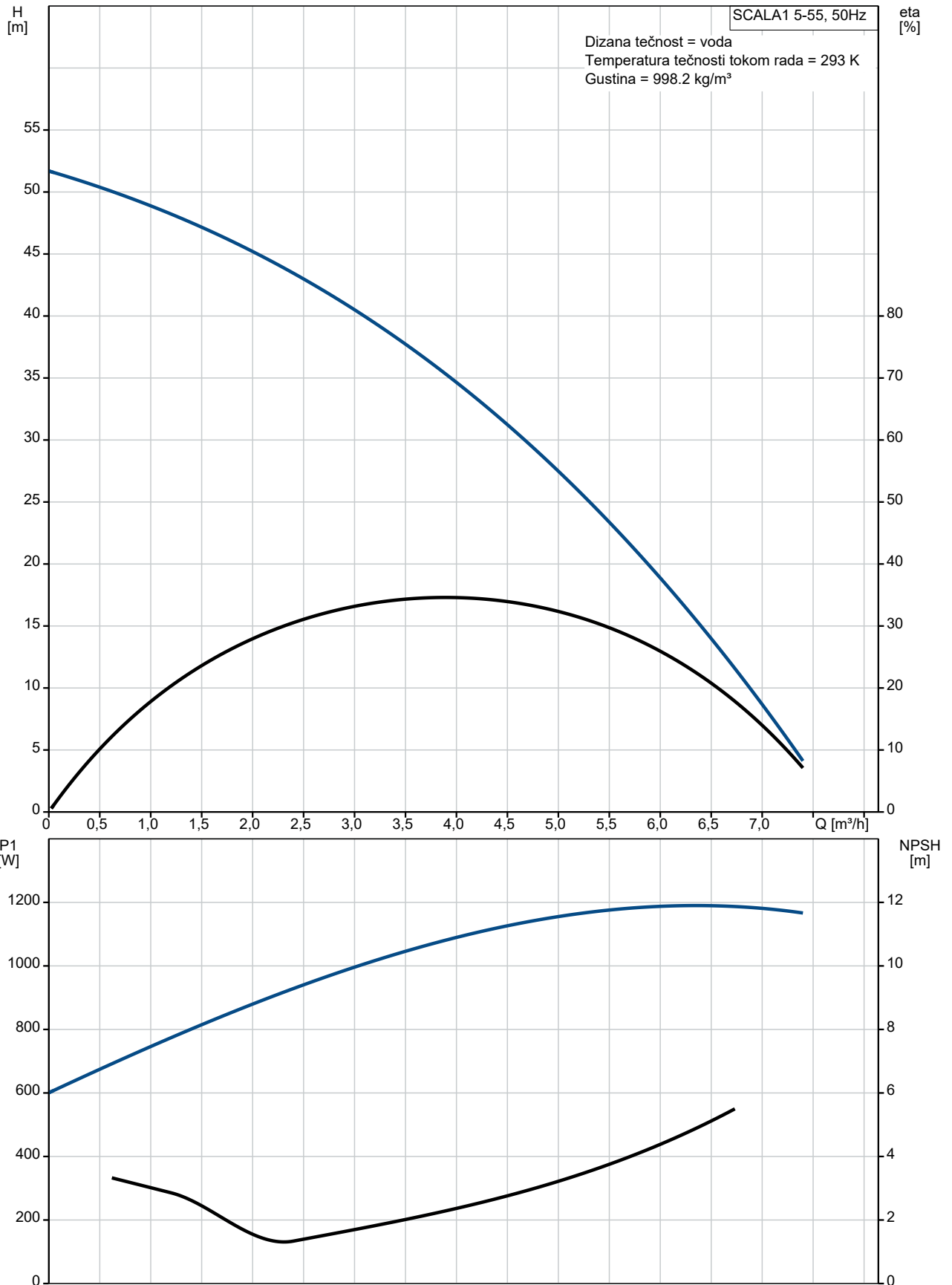
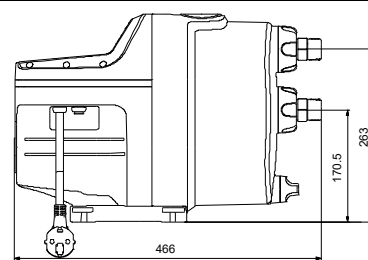
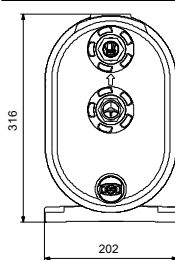
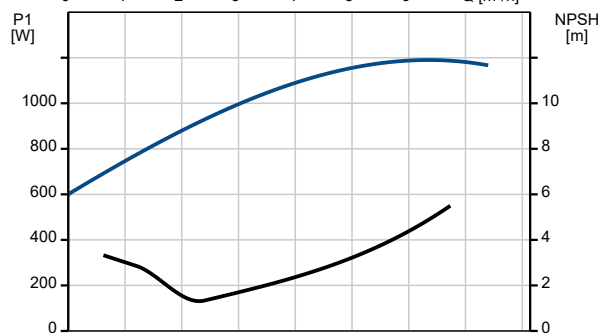
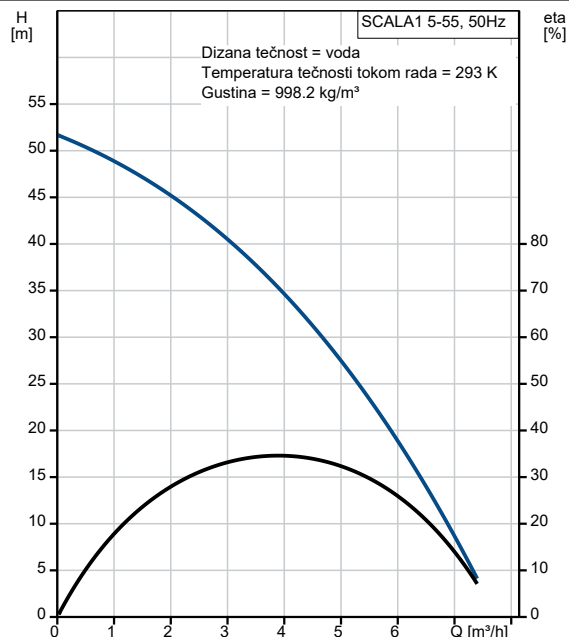


Kol.	Opis
1	<p data-bbox="199 331 718 362">Ime proizvoda: SCALA1 5-55</p> <div data-bbox="319 436 494 593"></div> <p data-bbox="199 660 494 683">Proizvodni broj: 99530407</p> <p data-bbox="199 716 1452 772">The Grundfos SCALA1 is a self-priming, multistage pump, that incorporates all the components of a pressure booster into a compact composite enclosure.</p> <p data-bbox="199 806 1452 918">As it is self-priming, the SCALA1 can pump water from a level below the pump. Provided it is filled with water, the pump can lift water from a depth of 8 m in less than 5 minutes. This facilitates easy installation and start-up of the pump and provides more reliable water supply in installations where there is a risk of dry running and leakages in suction hose or pipes.</p> <p data-bbox="199 952 1452 1008">SCALA1 can communicate with Grundfos GO app via built in Bluetooth, which enables detailed pump monitoring and high customization options, making this pump a good fit for every application.</p> <p data-bbox="199 1041 1452 1187">SCALA1 incorporates advanced protection features such as:</p> <ul data-bbox="239 1064 1452 1187" style="list-style-type: none">- Dry running protection that will automatically stop the pump in case of water shortage- Cycling protection which will prevent pump starting frequently in case of minor leakages in installation- Max runtime protection can stop the pump after a desired period of continuous operation, preventing potential damage due flooding in case of pipe breakages. <p data-bbox="199 1220 1452 1276">The pump has a built-in motor protection that will stop the pump if exposed to excessive temperature due to high ambient temperature, in case of seizure or overload, thus preventing a motor burnout.</p> <p data-bbox="199 1310 1452 1366">With Grundfos GO you can easily setup SCALA1 as a Twin booster system, operating as duty/stand by as well as duty/assist. It is also possible to add external input control and schedule a pump operation via calendar function.</p> <p data-bbox="199 1400 1452 1456">SCALA1 require no maintenance, but it is recommended to keep the pump clean, check the non-return valves and keep the ventilation holes free of dust.</p>

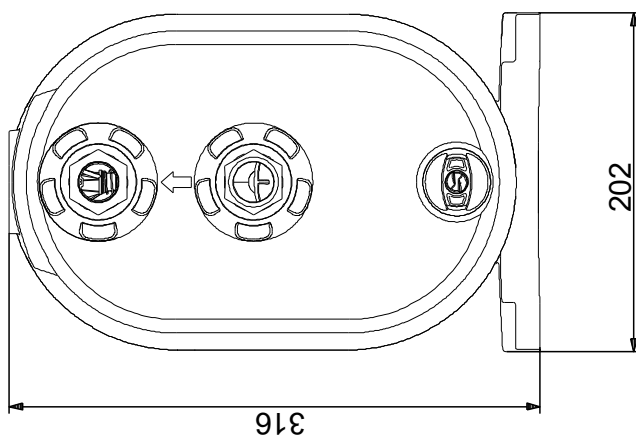
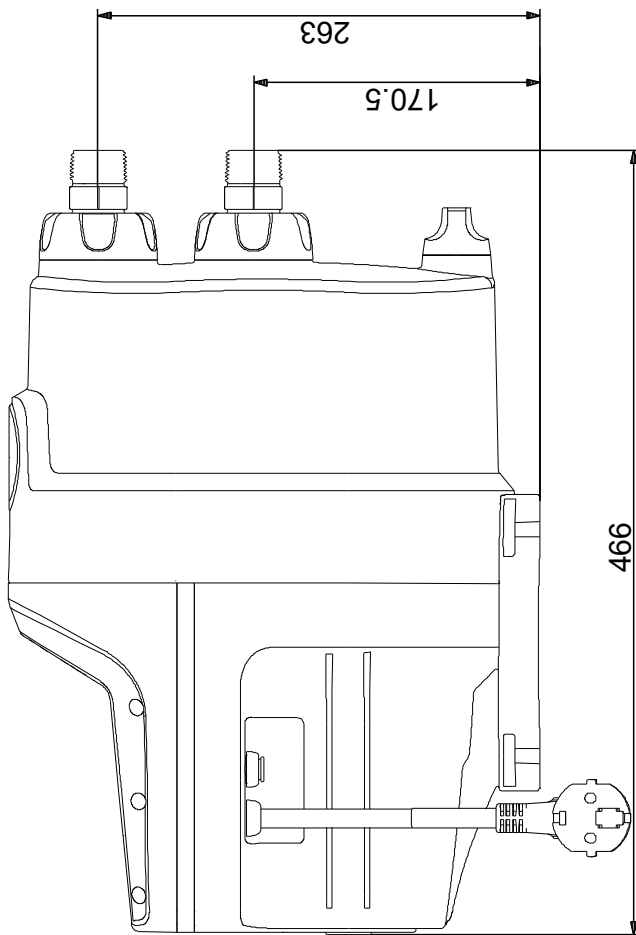
99530407 SCALA1 5-55 50 Hz



Opis	Vrednost
Opšte informacije:	
Ime proizvođača:	SCALA1 5-55
Šifra proizvođača:	99530407
EAN broj:	5713830592410
Cena:	€ 572.46
Tehnički:	
Nazivni protok:	5.33 m ³ /h
Rated head:	25 m
Maximum head:	52 m
Kod za zaptivač vratila 1: tip 2: rotir. površ. 3: stacion. dosed 4: sekund. zaptivač:	BVBP
Approvals:	CE,EAC,AAA
Approvals for drinking water:	WRAS,ACS
Tolerancija krive:	ISO9906:2012 3B
Model:	A
Start pressure:	280 kPa
Materijali:	
Kućište pumpe:	Kompozitno
Rotor:	Kompozitni
Ugradnja:	
Opseg temperature okruženja:	273 .. 328 K
Maksimalni radni pritisak:	0.8 MPa
Maximum permissible inlet pressure:	0.2 MPa
Type of inlet connection:	R
Type of outlet connection:	R
Veličina usisnog otvora:	1 inch
Veličina izlaznog otvora:	1 inch
Pressure rating for connection:	PN 8
Tečnost:	
Dizana tečnost:	voda
Raspon temperature tečnosti:	273 .. 318 K
Selected liquid temperature:	293 K
Gustina:	998.2 kg/m ³
Elektro podaci:	
Length of power cable:	1.5 m
P1 max.:	1200 W
Rated power - P2:	0.78 kW
Frekvencija struje:	50 Hz
Potrebni napon:	1 x 230 V
Maximum current consumption:	5.38 A
Klasa zaštite (IEC 34-5):	X4D
Insulation class (IEC 85):	F
Power plug:	Type E/F (CEE7/7)
Power plug:	Šuko utikač
Ostali:	
Net weight:	14 kg
Gross weight:	16 kg
Shipping volume:	0.046 m ³
Storage temperature range:	233 .. 343 K
Finnish LVI No.:	4732546
Country of origin:	HU
Custom tariff no.:	84137075



99530407 SCALA1 5-55 50 Hz



Napomena! Sve jedinice su u [mm]ukoliko drugačije nije navedeno.
Upozorenje: Ovaj pojednostavljeni dimenzioni crtež ne pokazuje sve detalje.